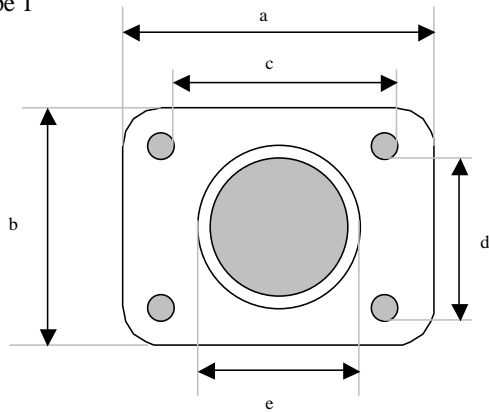


PIPERCROSS

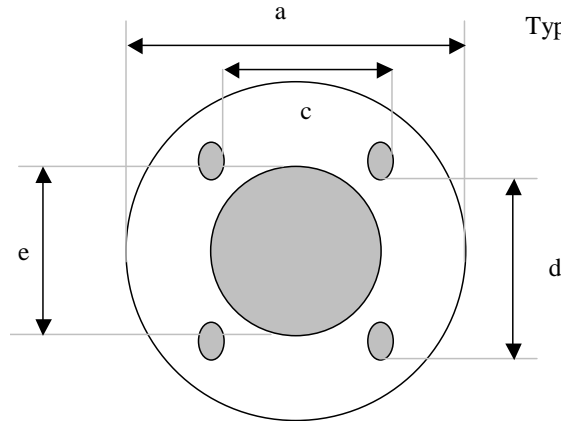
PERFORMANCE AIRFILTERS

SQUARE TO ROUND ADAPTORS

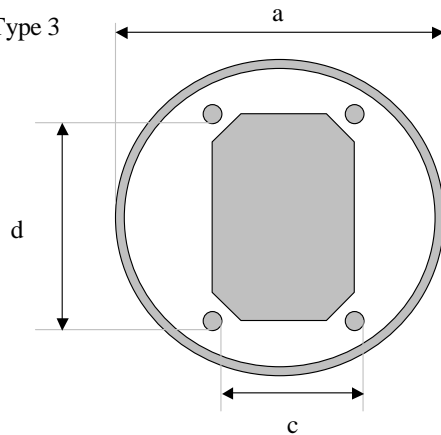
Type 1



Type 2



Type 3



To convert square airflow meters into round flanges.

- Allows custom induction system to be fitted
- Enables a induction system to be fitted to a non-listed car

Part		Type	a	b	c	d	e
	Discription		x outer	y outer	x hole	y hole	Flange
			mm	mm	mm	mm	mm
PK1001	Bosch	1	101	65	82	38	68
PK1005	Nissan plate (Sunny GTIR)	2	150	na	81	67	71
PK1006	Blank Plate with 71mm flange	2	150	na	na	na	71
PK1007	Blank Plate with 81mm flange	2	150	na	na	na	81
PK1008	Mitsubishi airflow meter	3	120	130	62	112	100
PK1009	Mitsubishi airflow meter	3	148	na	62	112	146

Tel:++44 (0) 1604 494945
 Fax:++44 (0) 01604 644551
 Email:sales@pipercross.com